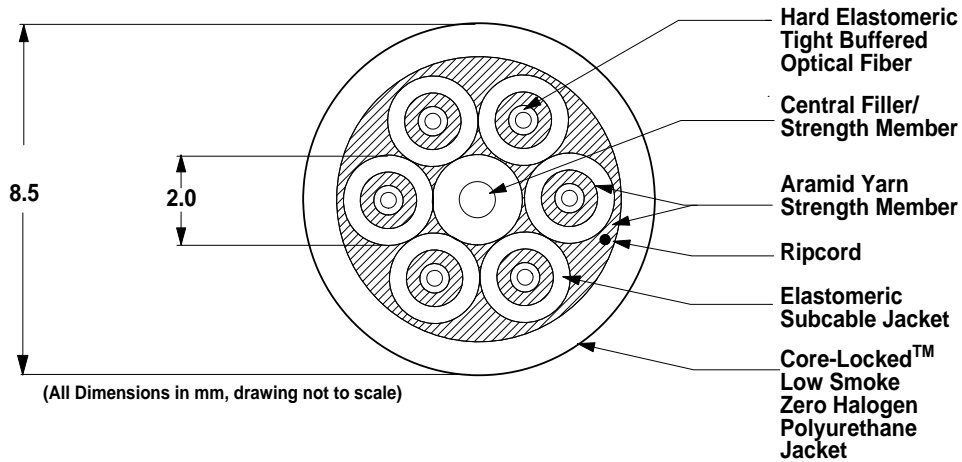


«« PROPRIETARY INFORMATION OF OPTICAL CABLE CORPORATION »»
 DETAIL DRAWING
 6-CHANNEL
 MILITARY TACTICAL FIBER OPTIC BREAKOUT CABLE
 OPTICAL CABLE CORPORATION P/N:
B-006GSLX5KM
ULTRA-FOX PLUS™



Fiber Type	Singlemode, low water peak ITU-T G.652.D
Cladding Diameter	125 um
Primary Coating Diameter (UV cured acrylate)	500 um
Secondary Buffer Diameter (hard elastomeric)	900 um
Proof Test Level	100 kpsi

<u>Wavelength</u>	<u>1310 nm</u>	<u>1550 nm</u>
Maximum Attenuation	0.5 dB/km	0.5 dB/km
Nominal Zero Dispersion Slope	0.092 ps/(nm ² -km)	

Cable Weight	56 kg/km (38 lbs/1000')
Cable Diameter	8.5 mm (0.33 in)

INSTALLATION:	
MAX. TENSILE LOAD	2,400 N (540 lbs)
MIN. BEND RADIUS	8.5 cm (3.3 in)

OPERATING:	
MAX. TENSILE LOAD	600 N (130 lbs)
MIN. BEND RADIUS	4.3 cm (1.7 in)

IMPACT RESISTANCE	200 Impacts (EIA/TIA-455-25A, Military Req.)
CRUSH RESISTANCE	440 N/cm (TIA/EIA-455-41A, Military Req.)

OPERATING TEMPERATURE	-55°C to +85°C
STORAGE TEMPERATURE	-70°C to +85°C